

**SHANTUI**  
VALUE THAT WORKS

**SL60W-2**  
Wheel Loader



. Engine Model  
. Gross Power  
. Operating Weight

Weichai WD10G240E21  
175kW@2200rpm  
21,000kg

 **POWERSTAR**  
Polokwane



# SL60W-2 SPECIFICATIONS

## ENGINE

Make	Weichai
Model	WD10G240E21
Emission Regulation	Euro 2
Rated Power	175 kW @ 2200 rpm
Max Torque	900 N.m @ 1400 rpm
Displacement	9.726ℓ
Cylinder	6 - 126x130 mm (bore x stroke)
Aspiration	Turbocharged & intercooled
Radiator	Enlarged radiator

## LOADER PERFORMANCE

Tipping Load - Full Turn	12000 kg
Bucket Breakout Force	179 kN
Rated loading	6000 kg
Maximum Dump Angle at Full Height	45°
Dump Clearance at Full Height Discharge	3322 mm

Dump Reach at Full Height Discharge	1200 mm
Maximum Hinge Pin Height	4490 mm
Maximum Digging Depth, Bucket Level	32 mm
Bucket type (Capacity)	Rock/ Coal (3.5/5 m³)
Operating Weight	21000 kg

## TRANSMISSION

Transmission Type	Fixed-shaft, Multi-speed, hydraulic transmission
Torque Converter	Integrated with transmission
Maximum Travel Speed, fwd	38 km/h
Maximum Travel Speed, rev	17 km/h
Number of Speeds, fwd	4
Number of Speeds, rev	4
Drive system	4 wheel drive

## AXLES

Differential Front Type	Conventional
Differential Rear Type	Conventional
Axle Oscillation	±12°
Gradeability	30°
Max. traction	172 kN

## STEERING

Steering Configuration	Articulated, full hydraulic power
Steering System Pressure	18 MPa

## BRAKES

Service Brake Type	Caliper disc brake
Service Brake Actuation	Air over Hydraulic
Parking Brake Type	Flexible shaft control, disc brake
Parking Brake Actuation	Mechanical

## TIRES

Tire Size	26.5-25 28PR (L-3 Pattern level)
-----------	----------------------------------

## HYDRAULIC SYSTEM

Main Pump Type	Gear
Main Relief Pressure	18 MPa
Raise time	5.5 s
Total Cycle Time	11.8 s
Pilot control	Yes

## SERVICE CAPACITY

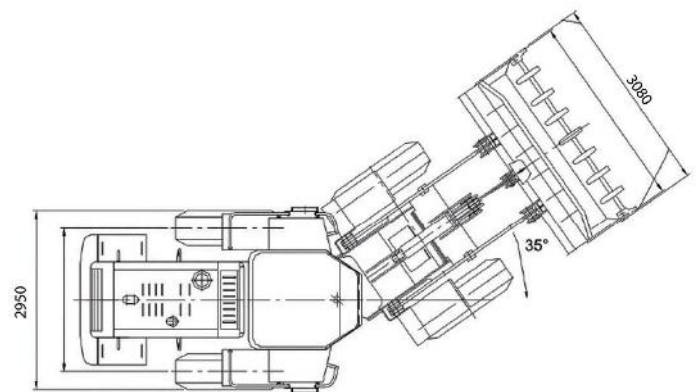
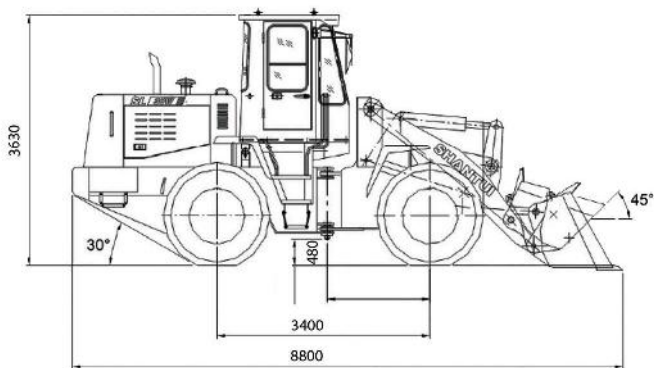
Fuel Tank	270ℓ
Hydraulic oil Tank	270ℓ
Engine Oil	28ℓ
Axles, each	2x27 ℓ
Transmission	45 ℓ
Cooling System	80 L

## DIMENSIONS

Length	8800 mm
Width	3082 mm
Height	3630 mm
Wheelbase	3400 mm
Ground Clearance	480 mm
Turning Angle, Either Side	35°
Turning Radius, Outside of Tire	6530 mm
Turning Radius, Bucket Carry	7665 mm
Width (Outside Tires)	2950 mm
Bucket Width	3080 mm

## STANDARD EQUIP

FIRE EXTINGUISHER
AIR CON
ROPS & FOPS
REVERSE BUZZLE
STROBE LIGHT
REFLECTIVE TAPES



*\* Please note: The manufacturer reserves the right to make changes to the design, form, colour and specifications of any Shantui brochure without notice. The picture shown is for illustrated purposes only. \**