

SHANTUI

VALUE THAT WORKS

SL30WN

Wheel Loader



. Engine Model
. Gross Power
. Operating Weight

Weichai WD6G125E201
92kW@2000rpm
10,500kg



POWERSTAR
Polokwane



SL30WN SPECIFICATIONS

ENGINE

Emission Regulation	Tier 2 / Stage II
Make	Weichai
Model	WP6G125E201
Rated Power	92 kW @ 2,000 rpm
Max Torque	540 N.m
Displacement	6.75 L
Number of Cylinders	6
Aspiration	Turbocharged

LOADER ARM PERFORMANCE

Tipping Load - Full Turn	6000 kg
Bucket Breakout Force	105 Kn
Maximum Dump Angle at Full Height	36°
Dump Clearance at Full Height Discharge	3057 mm
Dump Reach at Full Height Discharge	906 mm
Maximum Hinge Pin Height	3970 mm
Maximum Digging Depth, Bucket Level	62 mm
Bucket Capacity	1.7 m ³
Operating Weight	10,500 kg

TRANSMISSION

Transmission Type	Countershaft, power shift
Torque Converter	Single stage, three elements
Maximum Travel Speed, fwd	37 km/h
Maximum Travel Speed, rev	28 km/h
Number of Speeds, fwd	4
Number of Speeds, rev	2

AXLES

Differential Front Type	Conventional
Differential Rear Type	Conventional
Axle Oscillation	±12°

STANDARD EQUIP

FIRE EXTINGUISHER
AIR CON
REFLECTIVE TAPES
STROBE LIGHT
CAB FAN

STEERING

Steering Configuration	Articulated
Steering System Pressure	13 MPa

BRAKES

Service Brake Type	Caliper disc brake
Service Brake Actuation	Air over Hydraulic
Parking Brake Type	Flexible shaft control
Parking Brake Actuation	Mechanical

TIRES

Tire Size	17.5-25 12PR
Tyre Type	Tubles L-3

HYDRAULIC SYSTEM

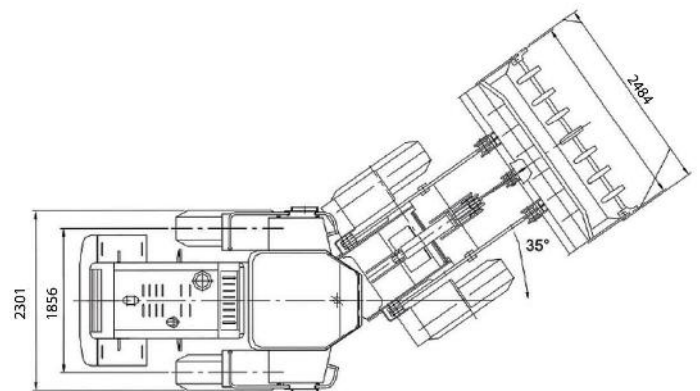
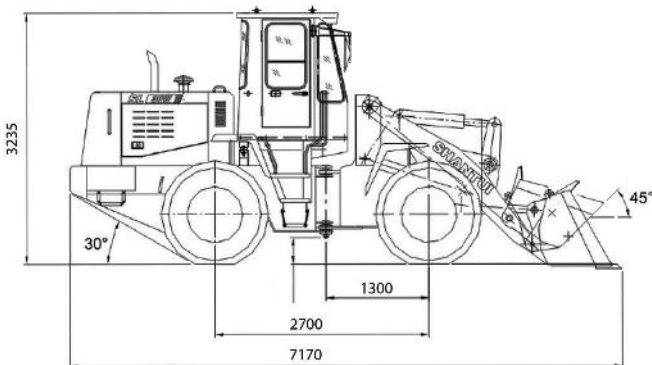
Main Pump Type	Gear
Main Relief Pressure	16 MPa
Raise time	5.1 s
Total Cycle Time	9.0 s

SERVICE CAPACITY

Fuel Tank	150 L
Hydraulic oil Tank	160 L
Engine Oil	16 L
Axles, each	36 L
Transmission	38 L
Cooling System	26 L

DIMENSIONS

Length	7170 mm
Width (bucket)	2484 mm
Height	3235 mm
Wheelbase	2700 mm
Ground Clearance	340 mm
Turn Angle, Either Side	36°
Turning Radius, Outside of Tire	5325 mm
Turning Radius, Bucket Carry	5920 mm
Width (with outside tires)	2301 mm



‘ Please note: The manufacturer reserves the right to make changes to the design , form, colour and specifications of any Shantui brochure without notice. The picture shown is for illustrated purposes only. ‘