

# SHANTUI

VALUE THAT WORKS

# SG21-3

Motor Grader



. Engine Model  
. Gross Power  
. Operating Weight

Cummins 6CTAA8.3-C215  
160kW@2200rpm  
16,820kg

 **POWERSTAR**  
Polokwane



# SG21-3 SPECIFICATIONS

## ENGINE

Model	Cummins 6CTAA8.3-C215
Number of cylinders	6
Type	4-cycle, direct injection, water-cooled
Bore x stroke	114x135 mm
Displacement	8.3 L
Gross power	160 kW @ 2200 rpm
Max. traction	88.2 kN
Max. torque	980 N.m @ 1500 rpm
Rated fuel consumption	223 g/kW,h
Emission	Euro II

## POWER TRAIN

Transmission	Fixed-axis type, electro-hydraulic control
Torque converter	Single-stage, single-phase, three basic elements
Rear axle	Modular, planetary reduction, "no-Spin" antiskid differential
Tandem drive	Roller chain. Oscillating angle: ±15°
Tire	17.5-25 12PR
Front axle	Oscillating angle: ±15° Tilting angle: ±17°
Tyre Type	Tube type L-3

## STEERING

Front wheel steering angle	±45°
Articulation angle	±25°
Min. turning radius	8200 mm

## BRAKES

Service brake	Disc type, foot operated, single circuit, hydraulically actuated on four tandem wheels
Parking brake	Drum type, manually actuated

## MOLDBOARD

Rotation	360°
Moldboard width	4270 mm
Moldboard height	635 mm
Moldboard thickness	20 mm
Moldboard tip angle	27-73°
Max. cutting depth	500 mm
Max. lifting height	440 mm
Max. shoulder reach (left/right)	1900/ 1950 mm
Max. tilting angle (left/right)	±90°

## SPEED

Forward, 1-6	5.4 - 39.7 km/h
Reverse, 1-3	5.4\12.2\25.4 km/h

## HYDRAULICS

Tandem pump	Gear pump, 28 ml/r
Relief pressure for working equipment	16 MPa

## CAPACITIES

Fuel tank	340 L
Hydraulic oil tank	110 L
Engine crank case	16 L
Engine coolant	30 L

## ELECTRICAL SYSTEM

Battery	2x12V, 105Ah
Alternator	28V, 70A
Starter motor	24V, 7.5 kW

## OPERATING WEIGHT

Standard	16820 kg
----------	----------

## RIPPER

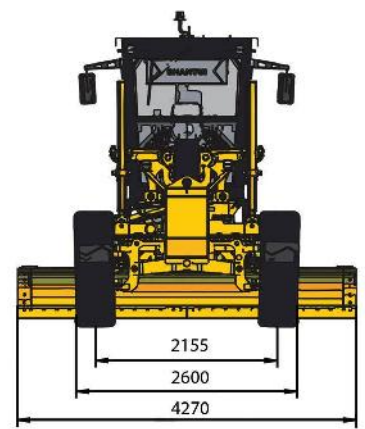
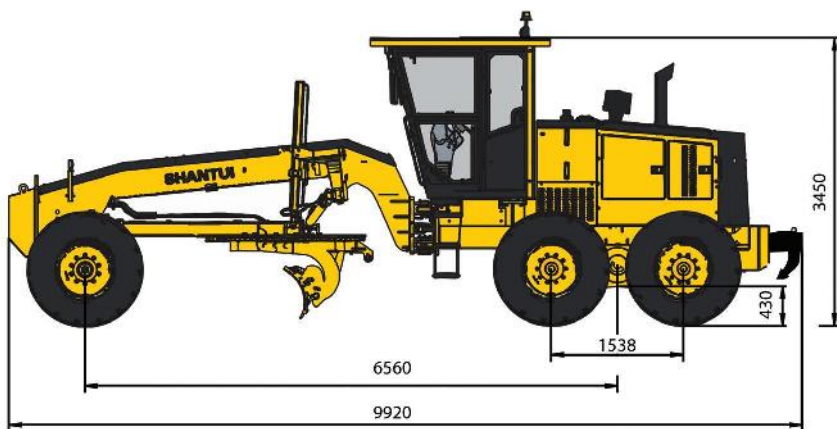
Ripping depth	320 mm
Shank supports	5
Shank support spacing	500 mm
Working width	2085 mm

## DIMENSIONS

A. Overall length: With rear ripper	9920 mm
B. Length: Front axle to mid tandem	6560 mm
C. Length: Between tandem axles	1538 mm
D. Height: Cab	3400 mm
E. Tread	2155 mm
F. Width: Outside tires	2600 mm
G. Moldboard width	4270 mm
H. Minimum ground clearance	430 mm

## STANDARD EQUIP

FIRE EXTINGUISHER
AIR CON
RADIO
REVERSE BUZZLE
STROBE LIGHT
REFLECTIVE TAPES
REVERSE CAMERA
ROPS & FOPS



\* Please note: The manufacturer reserves the right to make changes to the design, form, colour and specifications of any Shantui brochure without notice. The picture shown is for illustrated purposes only. \*