

# SHANTUI

VALUE THAT WORKS

# SFD30

Forklift



. Model	WP3.2G50E347A
. Rated Power	36.8 kW@2500rpm
. Operating Weight	4,680kg

 **POWERSTAR**  
Polokwane



# SFD30 SPECIFICATIONS

## ENGINE

Make	Weichai
Model	WP3.2G50E347A
Emission Regulation	Tier 3 / Stage III
Rated Power	36.8 kW @ 2500 rpm
Max Torque	540 N.m
Displacement	3.17 L
Number of Cylinders	4
On-board voltage	12 V

## PERFORMANCE

Drive Speed laden/unladen	20/ 20.5 km/h
Lifting Speed laden/unladen	480/ 540 s
Lowering Speed laden/unladen	440/ 455 s
Load Capacity	3000 kg
Loading center Distance	500 mm
Drawbar Pull at (2km/h) with/ without load	16.2/ 14 kN
Gradeability (at 2km/h) laden/unladen	20%

## TRANSMISSION

Transmission Type	Kion, Automatic transmission
Number of speeds	Single-speed transmisson
Torque convertor	Three units, single stage and two-phase

## STEERING

Turning Radius	2460 mm
Steering Configuration	Rear wheel power steering
Steering System Pressure	9 Mpa

## AXLES/ WEIGHT

Axel type	Kion
Axle loading, laden front/rear	6460/ 800 kg
Axle loading, unladen front/rear	1700/ 2580
Operating Weight	4680 kg

## BRAKES

Service Brake Type	Brake shoe, cylinder and base plate
Service Brake Actuation	Mechanical
Parking Brake Type	Flexible shaft control
Parking Brake Actuation	Mechanical

## STANDARD EQUIP

FIRE EXTIGUISHER
REVERSE BUZZLE
STROBE LIGHT
REFLECTIVE TAPES

## TIRES

Type	SE-Super elastic, Solid tires
Front Tyres Size	28x9-15 14PR
Rear Tyres Size	6.50-10 10PR
Number of wheels, front/rear	2 front/ 2 rear, 2 wheel drive

## HYDRAULIC SYSTEM

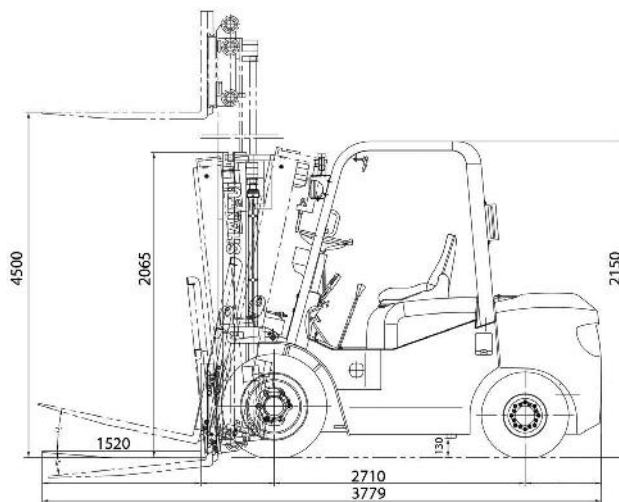
Main Pump Type	Kion gear wheel pump
Main Relief Pressure	18 Mpa
Working valve	Double slide valve with overflow valve
Working pressure	17.5 Mpa

## SERVICE CAPACITY

Fuel Tank	52 L
Hydraulic oil Tank	38 L
Engine Oil	10 L
Axles, each	7.6 L
Transmission	9 L
Cooling System	11 L

## DIMENSIONS

Length	3780 mm
Length to Face of Forks	2710 mm
Axle centre to fork face	484 mm
Width	1225 mm
Fork Carriage Width	1100 mm
Height	2150 mm
Wheelbase	1700 mm
Ground Clearance below Mast(laden)	135 mm
Lift height	4500 mm
Mast lift,forward/backward (Tilt)	6°/12°
Mast Minimum Overall Height	2080 mm
Mast Maximum Overall Height	4273 mm
Free lift	145 mm
Fork Arms Dimensions	45/125/1520 mm
Turn Angle, Either Side	2460 mm
Front Track Width	1000 mm
Rear Track Width	970 mm
Overhead Guard Height	2108 mm
Working aisle width with pallet 1000 x 1200 crossways	4144 mm
Drawbar Height	300 mm



*\* Please note: The manufacturer reserves the right to make changes to the design , form, colour and specifications of any Shantui brochure without notice. The picture shown is for illustrated purposes only. \**