

SHANTUI

VALUE THAT WORKS

SE305LCW

Excavator



- . Engine Model
- . Gross Power
- . Operating Weight

Weichai WP7G270E301
199 kW@2000rpm
32,600kg



POWERSTAR
Polokwane



SE305LCW SPECIFICATIONS

ENGINE

Model	Weichai WP7 G270E301
Type	High pressure common rail, turbocharged
No. of cylinder	6
Emission Regulation	Tier 3 / Stage III
Displacement	7.47 L
Power output	199 kW/ 2000 rpm

HYDRAULIC SYSTEM

Type	Variable piston pump
Max. discharge flow	285x2 L/min

DIGGING FORCE (ISO6015)

Bucket	210 kN
Arm	155 kN

BUCKET

Type	Backhoe bucket
Capacity	1.4~1.6(1.5) m ³
Width	1450 mm

TRAVEL SYSTEM

Type	Axial variable plunger motor
Track roller	9x2
Carrier roller	2x2
Track shoe	48x2
Travel speed	3.3-5.5 km/h
Max. Drawbar pull	267 kN
Gradeability	70% (35°)

SWING SYSTEM

Swing motor type	Swash plate plunger motor
Swing speed	0-10 r/min
Brake type	Pressure release mechanical braking

REFILL CAPACITIES & LUBRICATIONS

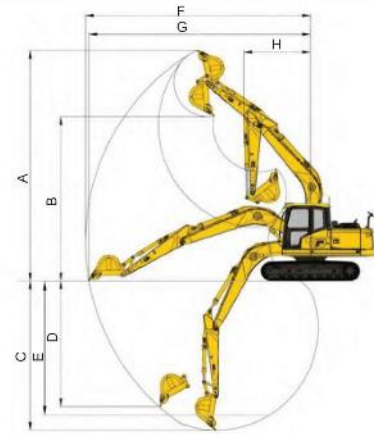
Fuel tank	620 L
Cooling system	35 L
Engine oil	24 L
Hydraulic oil tank	300 L
System Capacity	420 L

OPERATING WEIGHT AND GROUND PRESSURE

Shoe width	600 mm
Ground pressure	60 kPa
Operating weight	32,600 kg

SCOPE OF WORK (mm) (Boom: 6200 mm Arm: 2812 mm)

A	Max. digging height	10030 mm
B	Max. dumping height	6920 mm
C	Max. digging depth	6760 mm
D	Max. vertical digging depth	5795 mm
E	Max. depth cut for 2500mm level bottom	6580 mm
F	Max. digging distance	10580 mm
G	Max. digging radius at ground level	10375 mm
H	Min. swing radius of work equipment	4230 mm

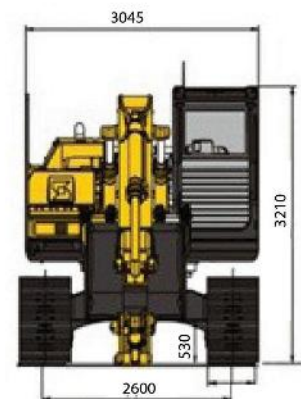
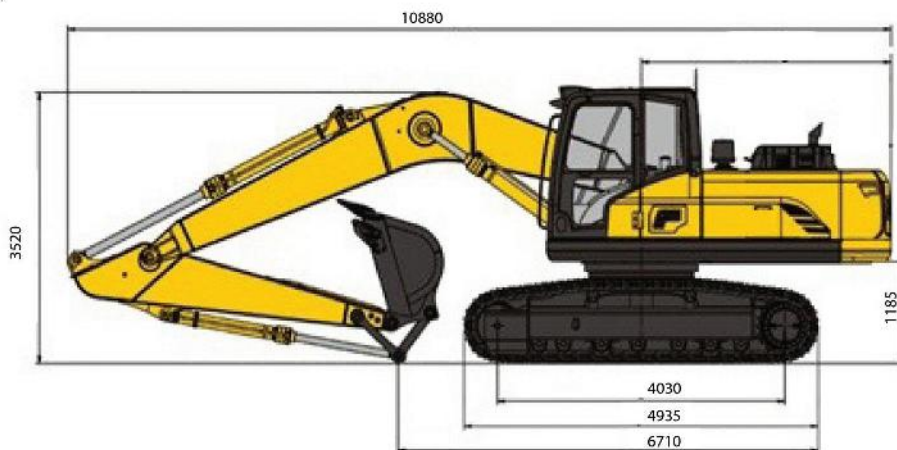


DIMENSIONS(mm)

A	Overall length	10880 mm
B	Ground contact length (Transportation)	6710 mm
C	Overall height (to top of boom)	3520 mm
D	Overall width	3200 mm
E	Overall height (to top of cab)	3210 mm
F	Counter weight ground clearance	1185 mm
G	Ground clearance	530 mm
H	Tail swing radius	3430 mm
I	Tread	4030 mm
J	Track length	4935 mm
K	Track gauge	2600 mm
L	Track width	3200 mm
M	Shoe width	600 mm
O	Bonnet height	2830 mm
P	Revolving frame width	3045 mm
Q	Distance from swivel center to tail	3375 mm

STANDARD EQUIP

FIRE EXTINGUISHER
AIR CON
STROBE LIGHT
REFLECTIVE TAPES



' Please note: The manufacturer reserves the right to make changes to the design , form, colour and specifications of any Shantui brochure without notice. The picture shown is for illustrated purposes only. '