

SHANTUI

VALUE THAT WORKS

L55-B5

Wheel Loader



- | | |
|--------------------|----------------------|
| . Engine Model | Weichai WD10G220E23 |
| . Gross Power | 162kW(220hp)@2000rpm |
| . Operating Weight | 17,350kg |
| . Bucket Capacity | 2.7m ³ |



L55-B5 SPECIFICATIONS

ENGINE

Emission Regulation	Tier 2 / Stage II
Model	Weichai WD10G220E23
Rated Power	162 kW (220 hp) @ 2,000 rpm
Max Torque	900 N · m
Number of Cylinders	6
Displacement	9.726 L

LOADER ARM PERFORMANCE

Tipping Load - Full Turn	11000 kg
Bucket Breakout Force	170 kN
Maximum Dump Angle at Full Height	45°
Dump Clearance at Full Height Discharge	3050 mm
Dump Reach at Full Height Discharge	1120 mm
Maximum Hinge Pin Height	4100 mm
Maximum Digging Depth, Bucket Level	30 mm
Bucket Capacity	2.7 m ³
Operating Weight	17,350kg

TRANSMISSION

Transmission Type	Planetary, power shift
Torque Converter	Single stage, four elements
Maximum Travel Speed, fwd	40 km/h
Maximum Travel Speed, rev	15 km/h
Number of Speeds, fwd	2
Number of Speeds, rev	1

AXLES

Differential Front Type	Conventional
Differential Rear Type	Conventional
Axle Oscillation	±12°

STANDARD EQUIP

FIRE EXTINGUISHER
AIR CON
INTEGRATED ROPS Cab
REVERSE BUZZLE
STROBE LIGHT
REFLECTIVE TAPES
REVERSE CAMERA
CAB FAN

STEERING

Steering Configuration	Articulated
Steering System Pressure	16 Mpa

BRAKES

Service Brake Type	Caliper disc brake
Service Brake Actuation	Air over Hydraulic
Parking Brake Type	Flexible shaft control
Parking Brake Actuation	Mechanical

TIRES

Tire Size	23.5-25-16PR
Tyre Type	L3 Tubed type

HYDRAULIC SYSTEM

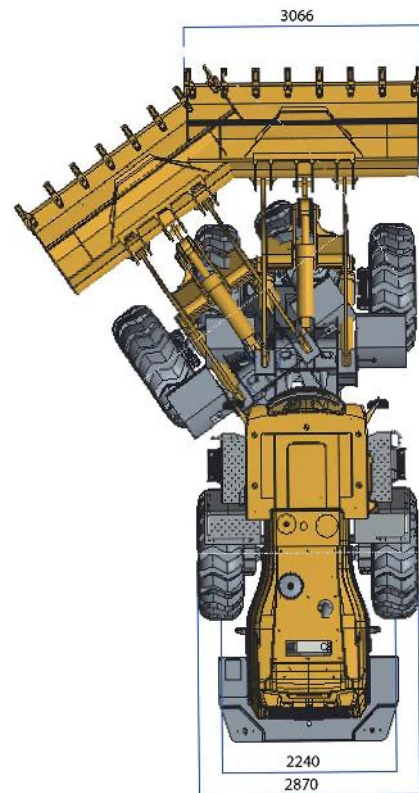
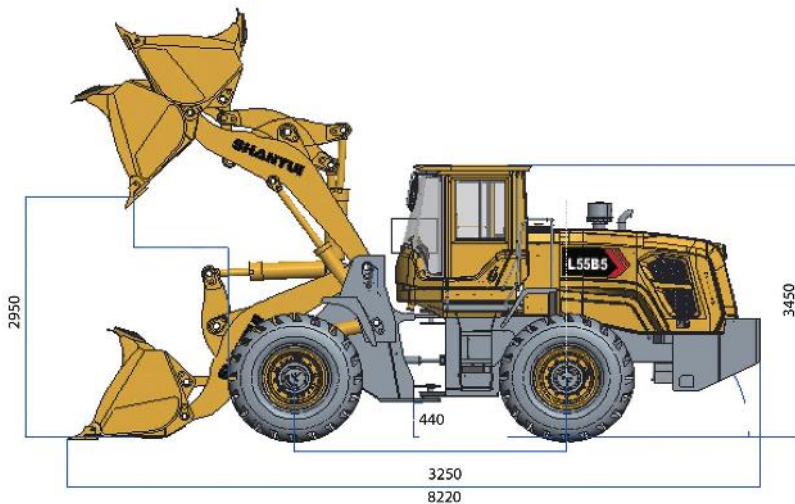
Main Pump Type	Gear
Main Relief Pressure	18 Mpa
Raise time	5.5 s
Total Cycle Time	10.5 s

SERVICE CAPACITY

Fuel Tank	300 L
Hydraulic oil Tank	170 L
Engine Oil	21 L
Axles, each	29x2 L
Transmission	45 L
Cooling System	65 L

DIMENSIONS

Length	8220 mm
Width (bucket)	3066 mm
Height (to top of cab)	3450 mm
Wheelbase	3250 mm
Wheel Tread	2240 mm
Ground Clearance	440 mm
Turn Angle, Either Side	35°
Turning Radius, Outside of Tire	6626 mm
Turning Radius, Center of Tire	6326 mm
Turning Radius, Bucket Carry	7200 mm
Width (outside tires)	2870 mm
Dump height	2950 mm



* Please note: The manufacturer reserves the right to make changes to the design, form, colour and specifications of any Shantui brochure without notice. The picture shown is for illustrated purposes only. *